

User Manual

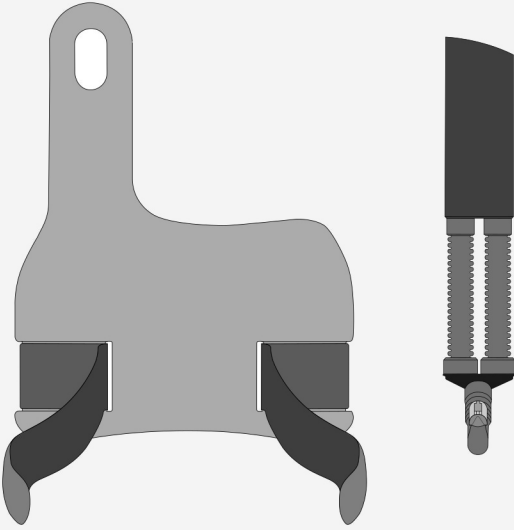


www.snorkelin.com

Getting Started:

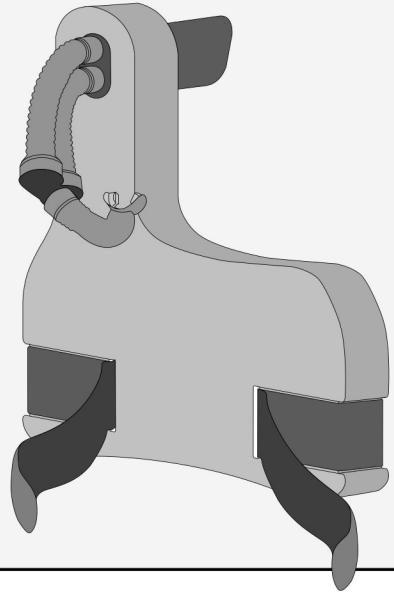
1

Buoy and snorkel tube



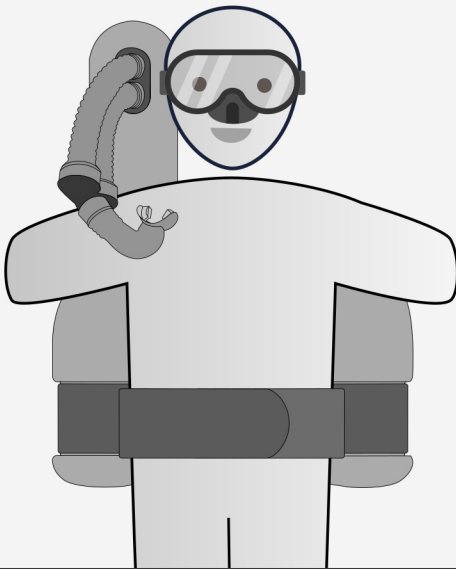
2

Connect snorkel tube to the buoy



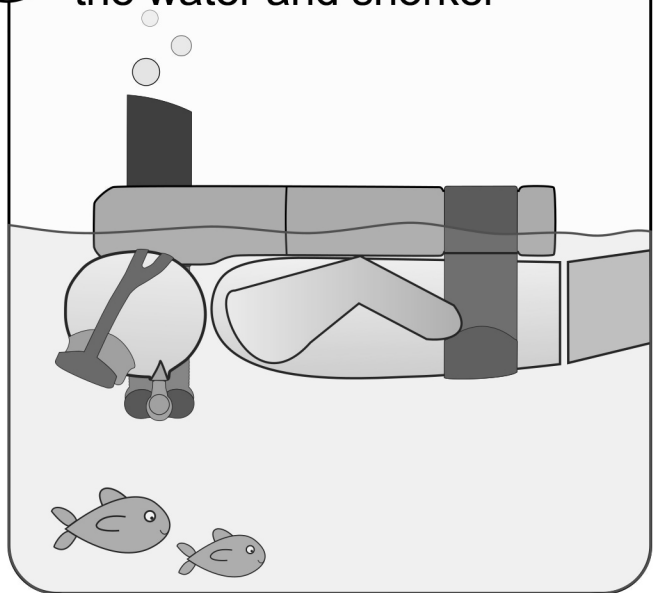
3

Strap buoy around waist and put on goggles



4

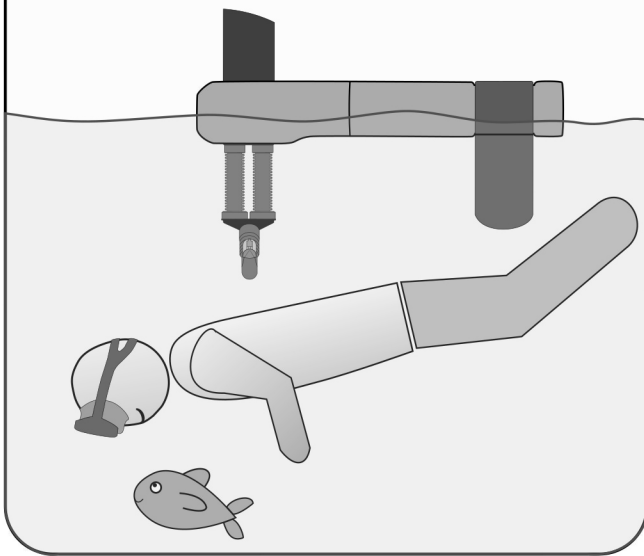
You are now ready to enter the water and snorkel



Disconnecting and reconnecting device while in the water, changing to vertical position, resting and clearing out tube:

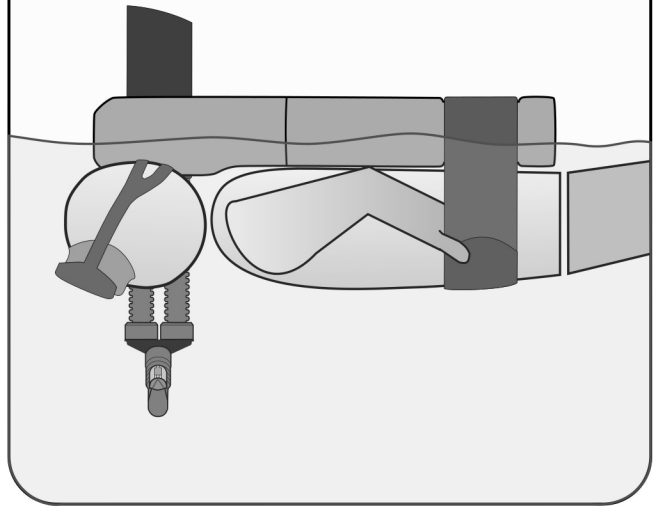
5

Remove waist strap to swim without device



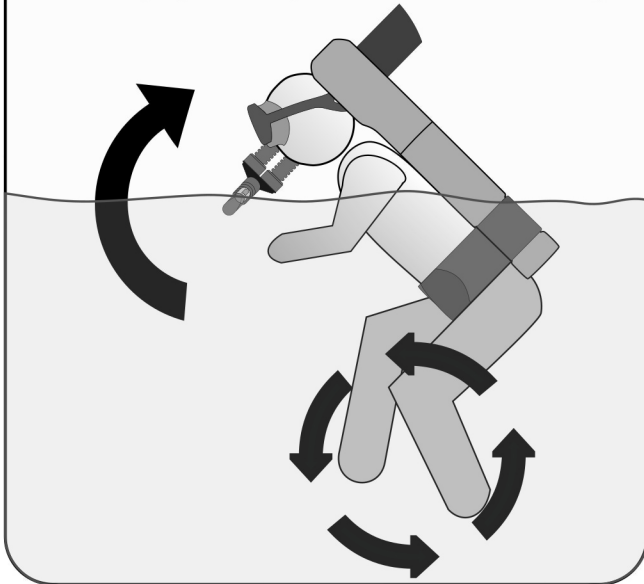
6

Return strap around waist to continue snorkeling



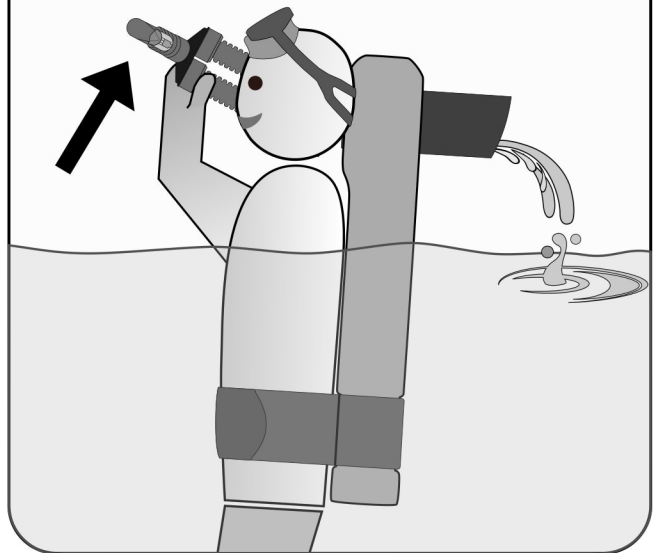
7

To attain vertical position, simply lift up head and body



8

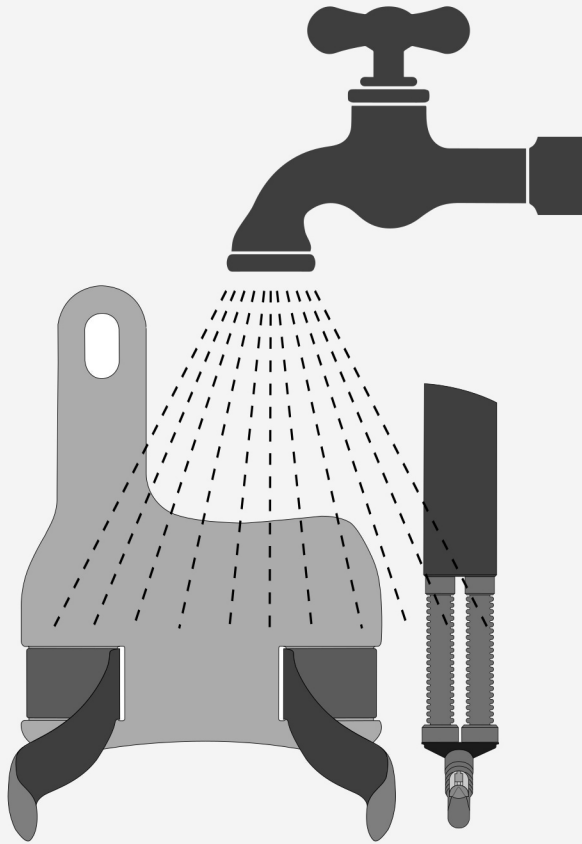
To clear tube, simply lift mouthpiece



Care and maintenance:

9

After use, thoroughly wash all parts of the snorkel in freshwater, then dry and store inside or in the shade.





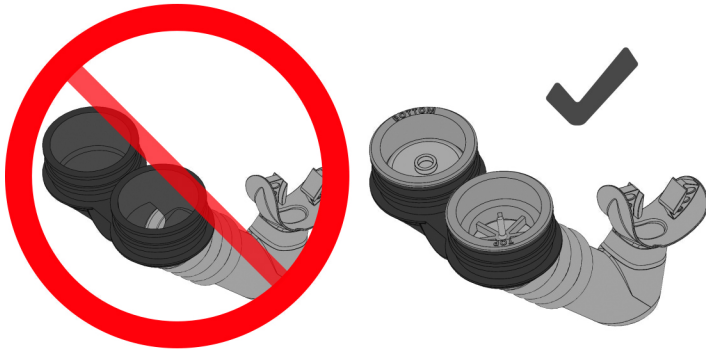
Safety and warnings:



This device is not a Life Jacket! It is for use by skilled swimmers only!



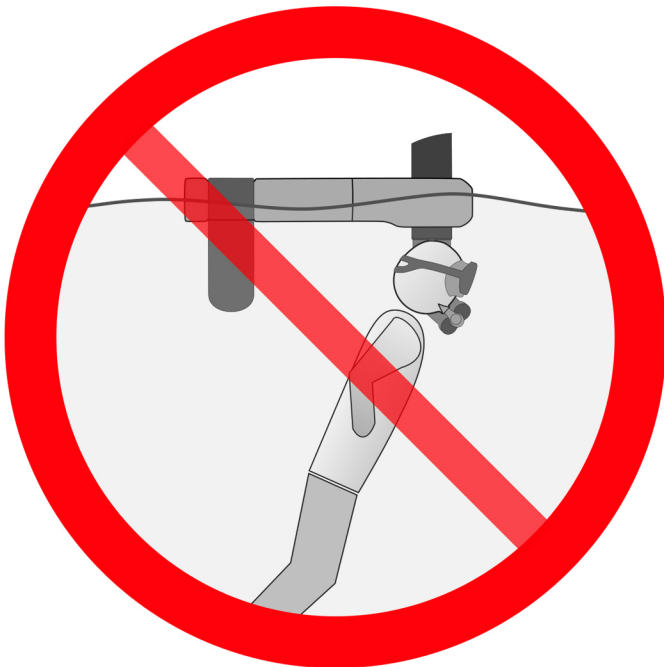
Do not use the snorkel without the respiratory valves. Always check that valves are properly functioning before use.



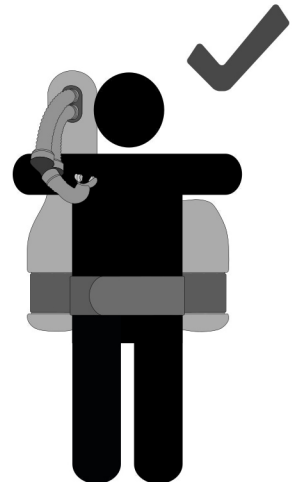
Do not extend snorkel tube or use with any external attachments.



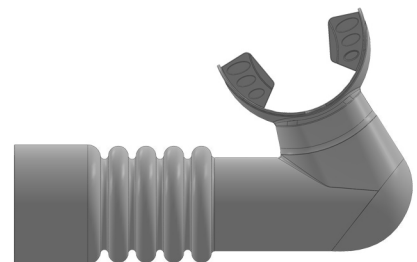
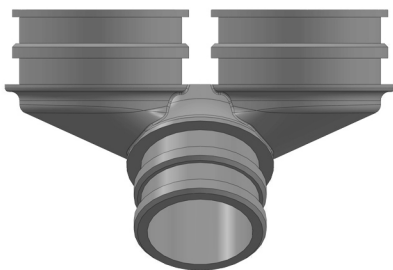
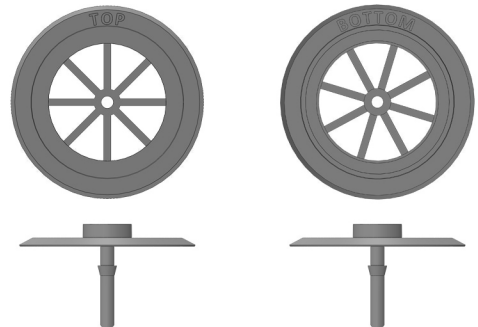
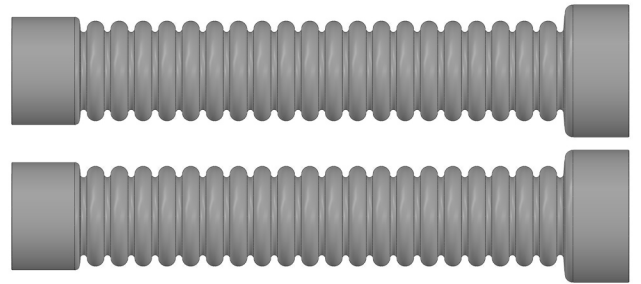
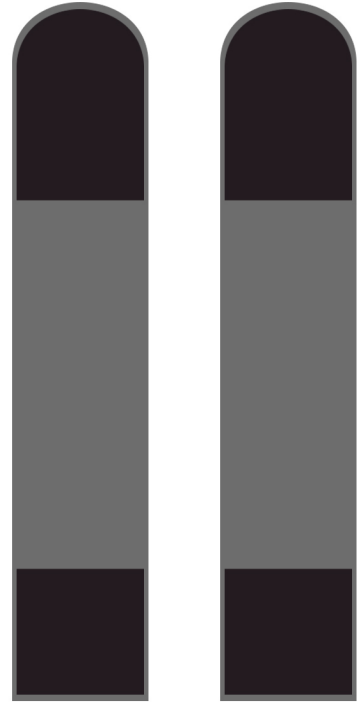
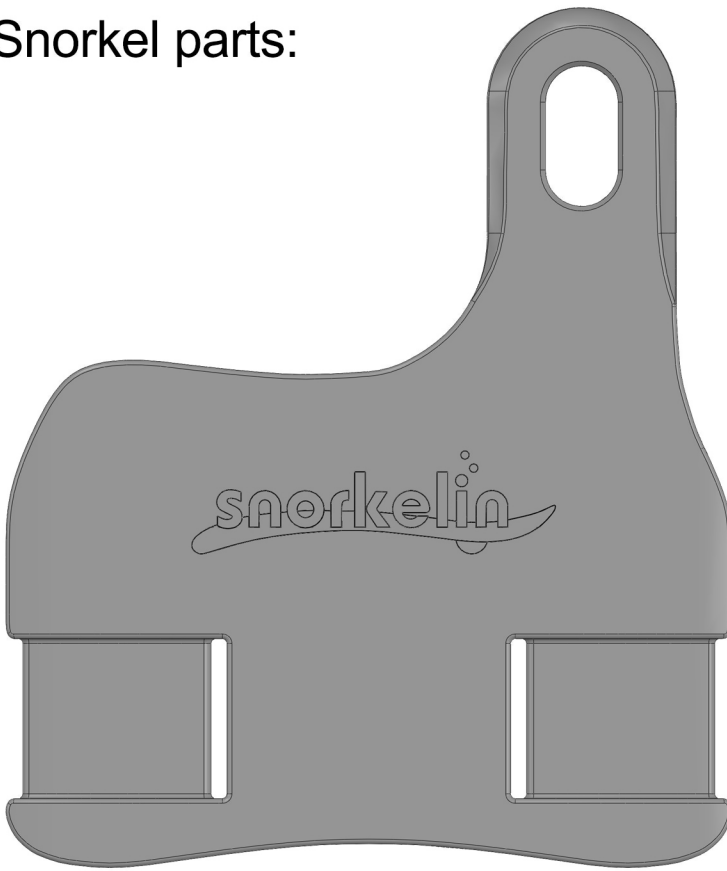
Do not use snorkel without your body being connected to the buoy.



Not for use by children under 9 years of age. Buoy size must fit user's body size.

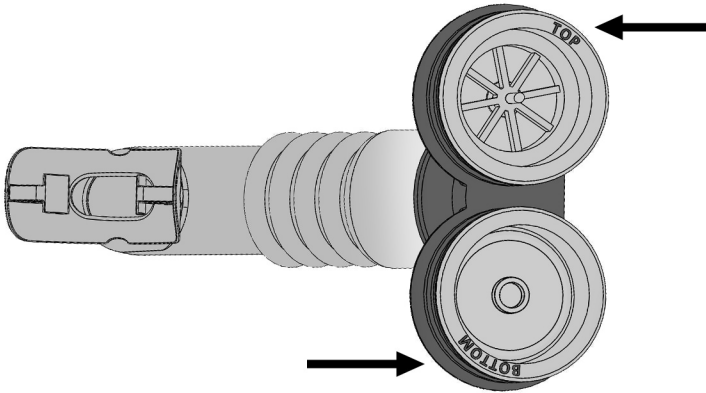


Snorkel parts:

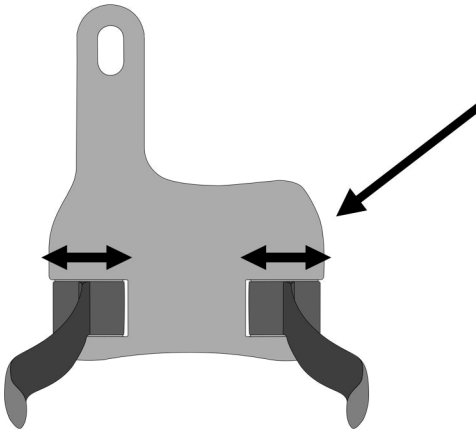


Additional important information:

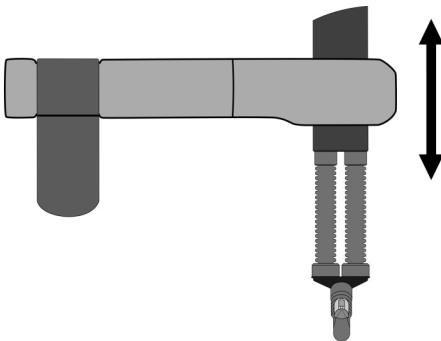
- When assembling the valves in the splitter, it should be done so that when the snorkel tube will later be mounted on the buoy, the breathing valve that says “BOTTOM” will be at the bottom of the splitter, and the breathing valve that says “TOP” will be at the top of the splitter.



- To adjust the distance between the straps to fit waist width, first release the straps from the buoy, and then move them to the desired position and re-tighten them.



- To adjust the position of the mouthpiece, move the snorkel tube up and down inside the opening



For more information and to download this booklet, visit our site:

www.snorkelin.com